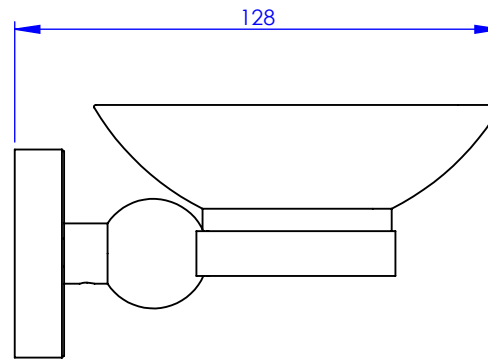
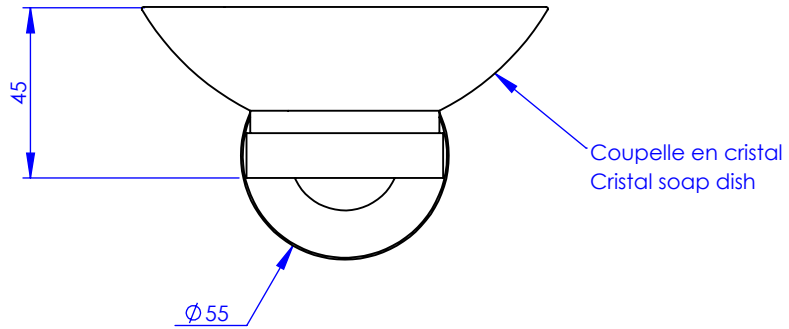
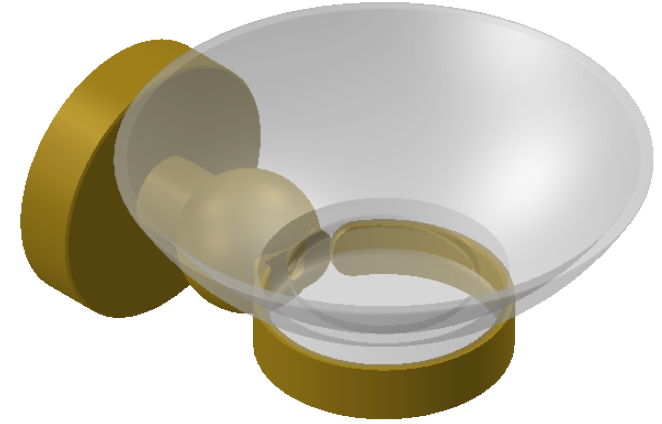


Collection : Accessoires Onyx
Porte-savon, mural
Wall mounted soap dish holder

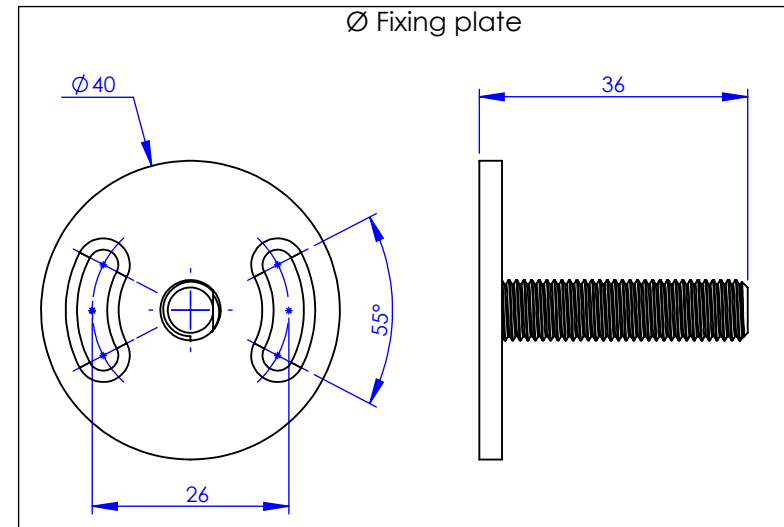


Ref : M90-515



Ancienne ref : 083.9.34.00

Ø Platine de fixation.
Ø Fixing plate



MARGOT

PARIS . 1912

26/03/2021 -1