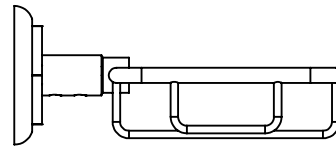
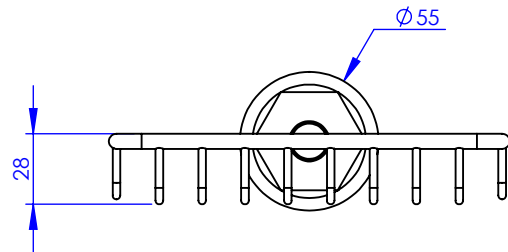
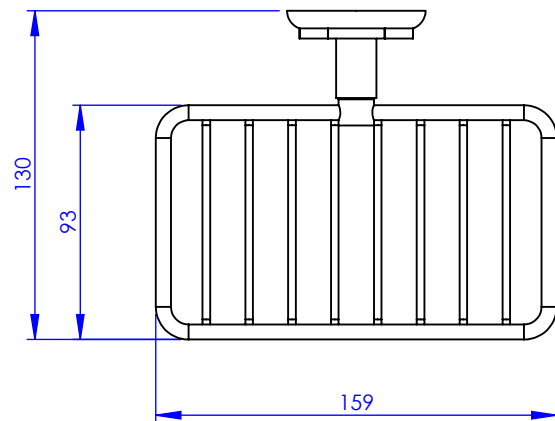
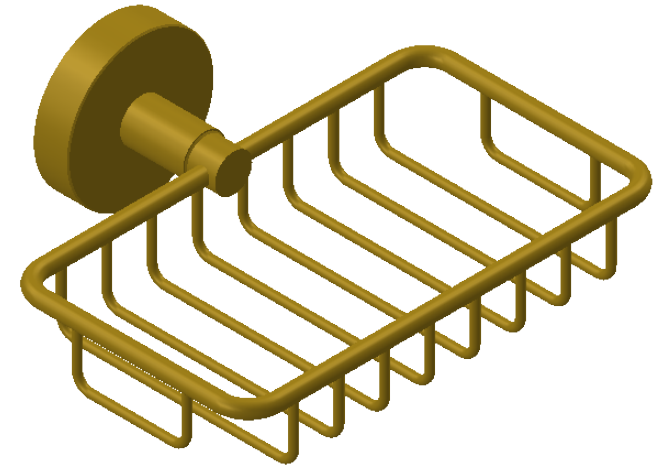


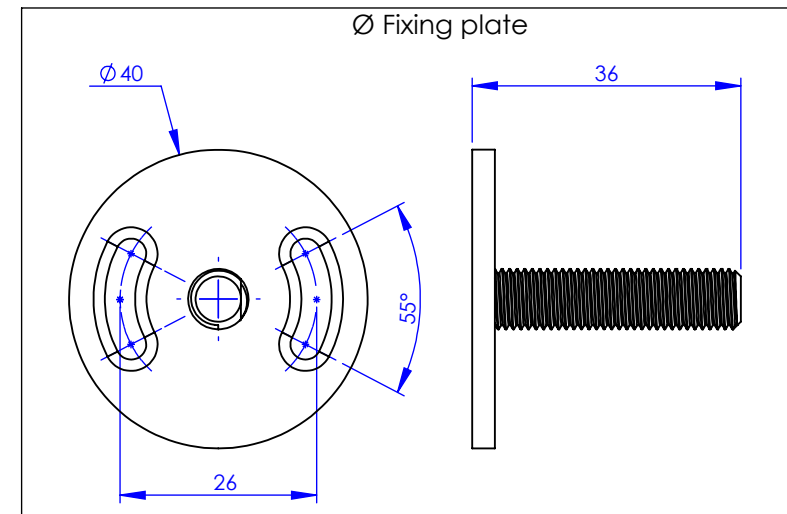
**Collection : Accessoires Industry**  
**Porte-savon douche, mural**  
**Wall mounted shower soap holder**



Ref : M81-519



Ø Platine de fixation.  
Ø Fixing plate



**MARGOT**

PARIS . 1912

26/10/2021 -1