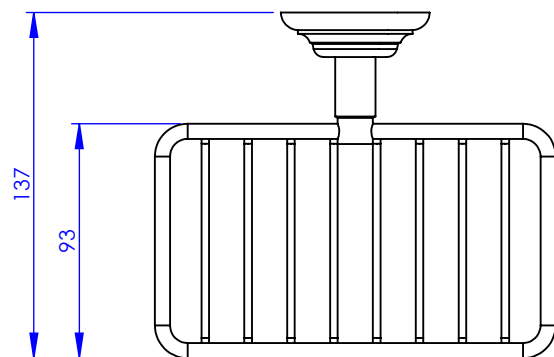
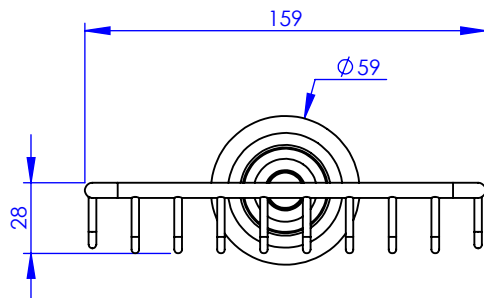


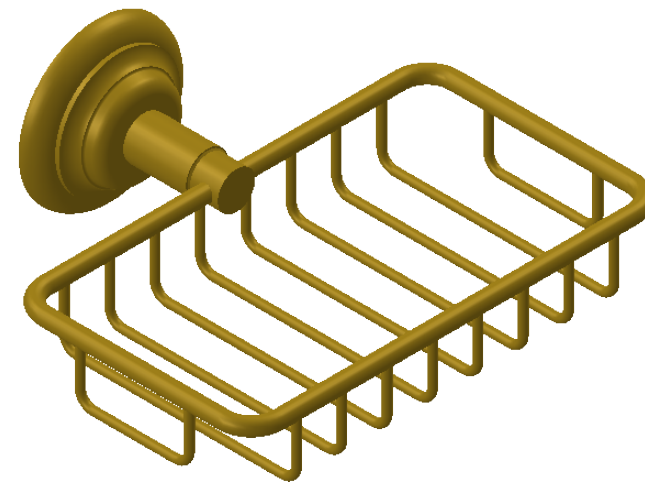
**Collection : ACCESSOIRES Tradition**

**Porte-savon douche, mural**

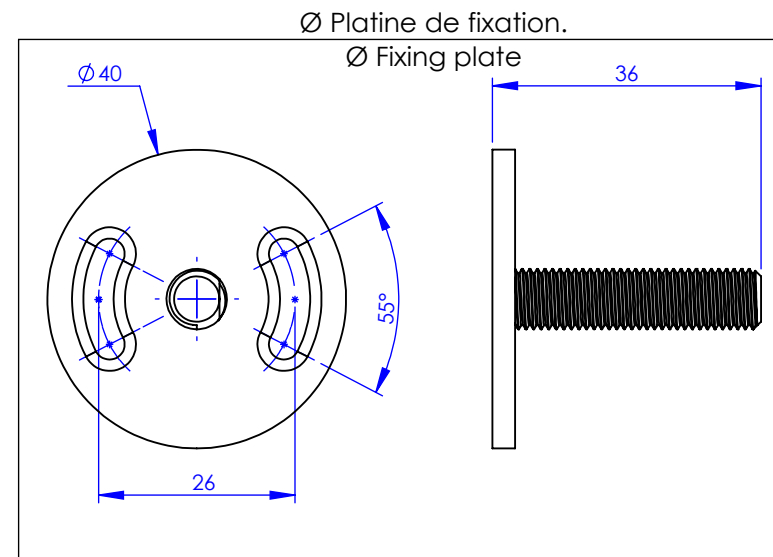
**Wall mounted shower soap holder**



Ref : M02-519



Ancienne ref : 012.9.35.00



**MARGOT**

PARIS . 1912

24/03/2021 -1