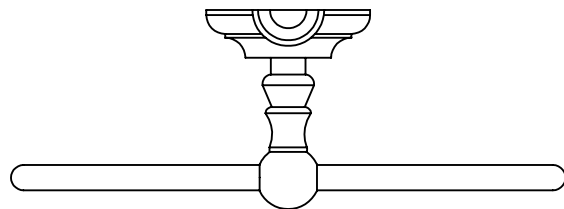
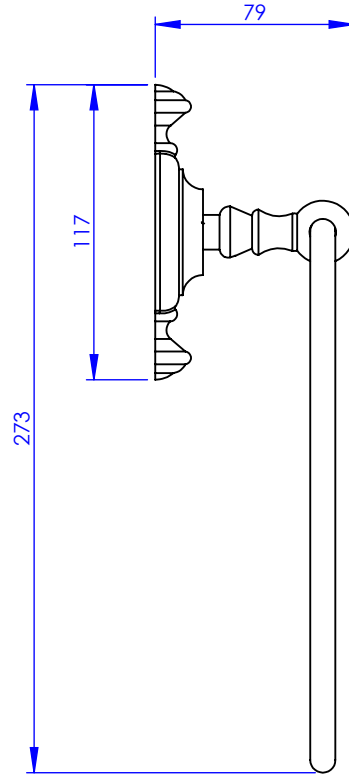
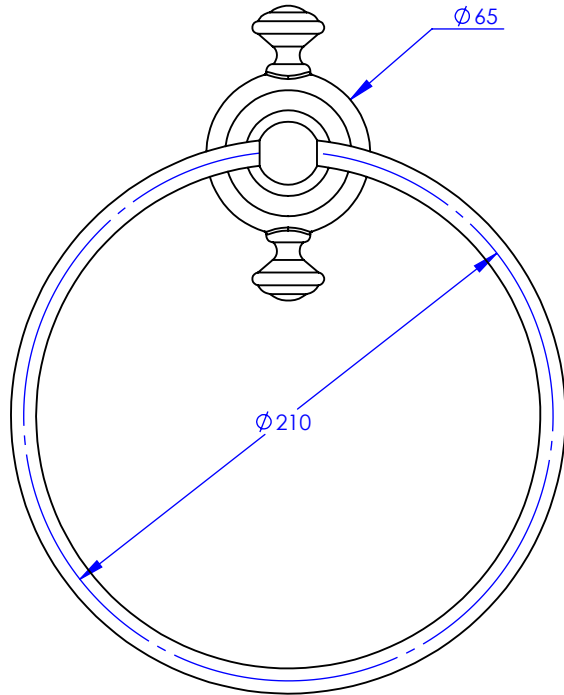


Collection : Accessoires 1900

Porte-serviette anneau, Ø 21 cm, mural

Wall mounted towel ring, Ø 21 cm

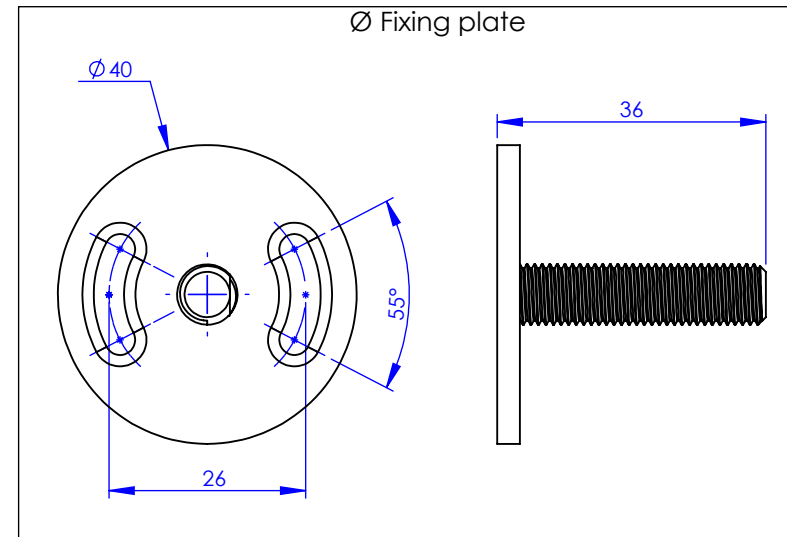


Ref : M01-510



Ancienne ref : 010.9.42.00

Ø Platine de fixation.
Ø Fixing plate



MARGOT

PARIS . 1912

14/05/2021 -1